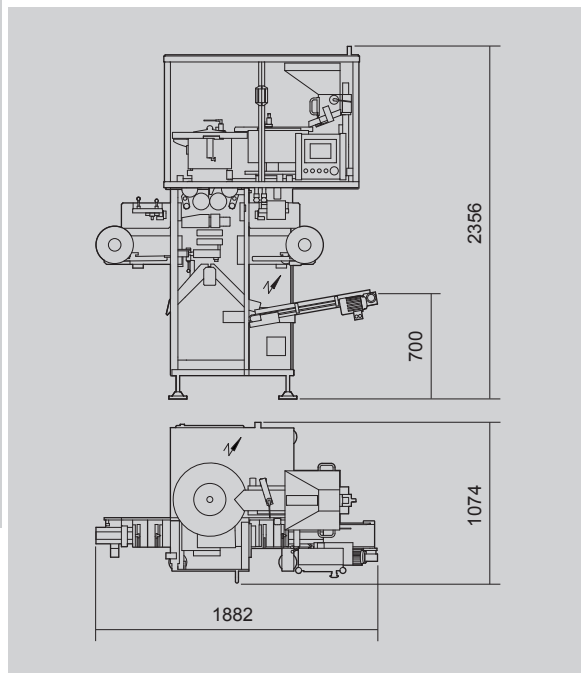
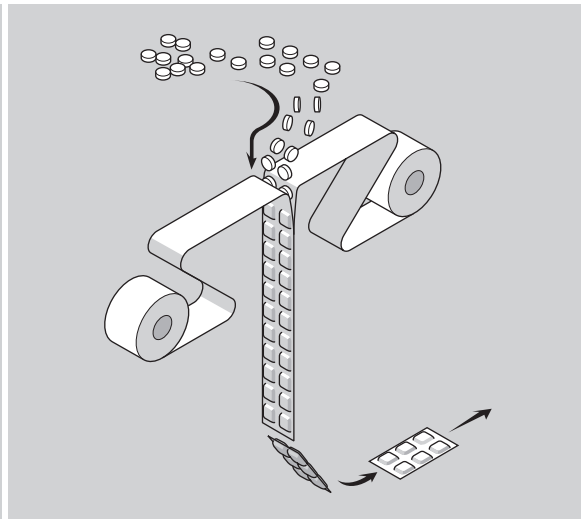


This publication supersedes and replaces any previous edition and revision. All rights reserved.
 No part of this publication may be reproduced, stored in a retrieval system or transmitted in any form
 or by any means, electronic, mechanical, photocopying, recording or otherwise, without permission
 of Tecnicam s.r.l. (Bologna - Italy).
 The technical data are not binding and may be subject to change without prior notice.

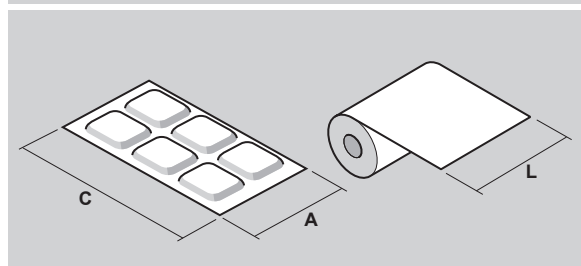
5000/90

Strip packaging vertical machine



TECHNICAL DATA

Mechanical speed	STROKES/1'	250 <small>(Depending on package size)</small>
Power absorption (max.)	KW	5.5
Air consumption	NI/1'	120
Air pressure	bar	6
Gross weight	kg	~800
Size range	min.	max.
A	20	110
C	20	Programmable
L (Reel width)	-	110



FM-500090-03-uk (13/04/2015)