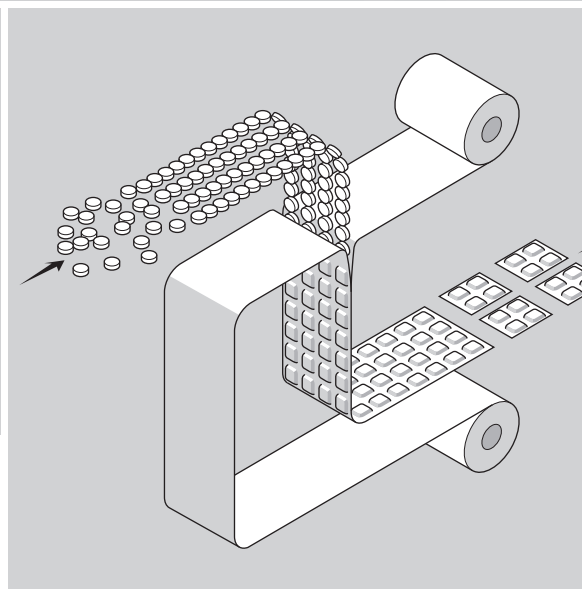
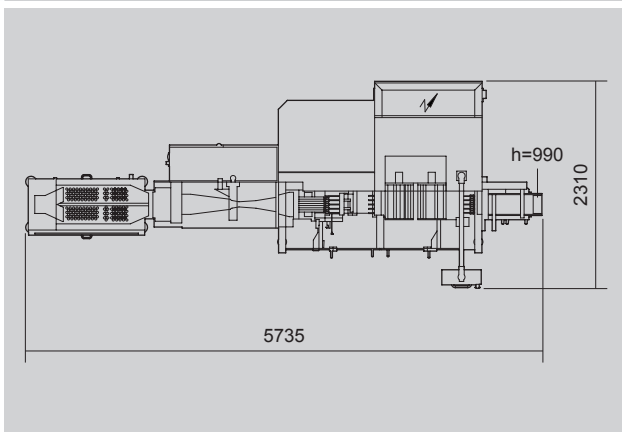
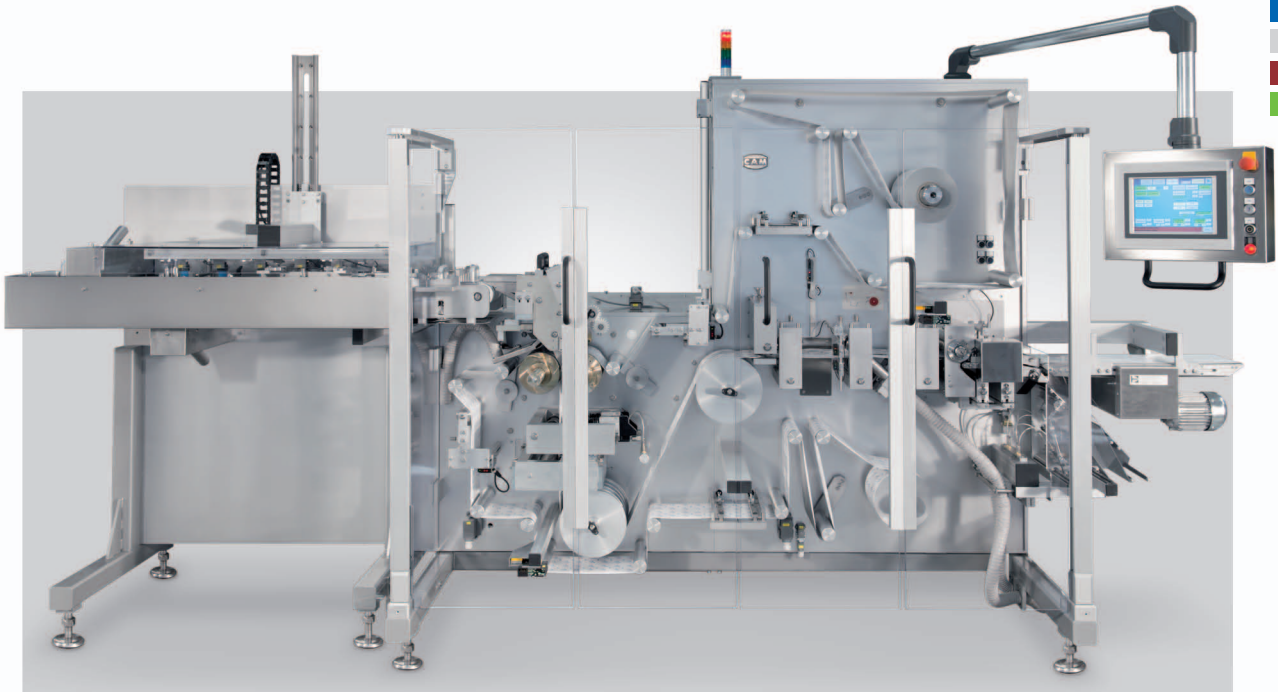


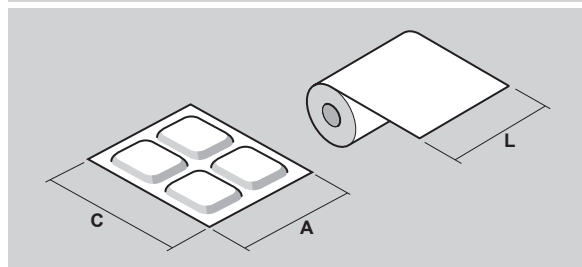
This publication supersedes and replaces any previous edition and revision. All rights reserved.
 No part of this publication may be reproduced, stored in a retrieval system or transmitted in any form
 or by any means, electronic, mechanical, photocopying, recording or otherwise, without permission
 of Tecnicam s.r.l. (Bologna - Italy).
 The technical data are not binding and may be subject to change without prior notice.

5000EH

High speed strip packaging horizontal machine



TECHNICAL DATA		5000/200EH	5000/400EH
Mechanical speed	STROKES/1'	300 (Depending on package size)	300
Power absorption	KW	9	12
Air consumption	NI/1'	180	180
Air pressure	bar	6÷8	6÷8
Gross weight	kg	~2500	~3000
<hr/>			
Size range	5000/200EH min. max.	5000/400EH min. max.	
A	35 190	35 390	
C	Programmable	Programmable	
L (Reel width)	- 200	- 400	



FM-5000EH-02-uk (16/02/2015)