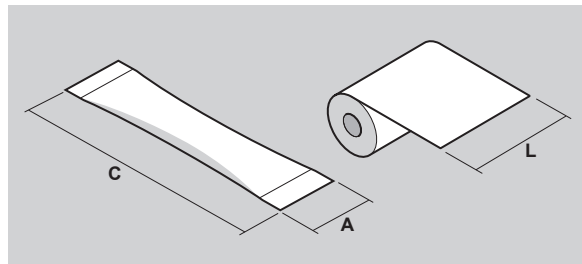
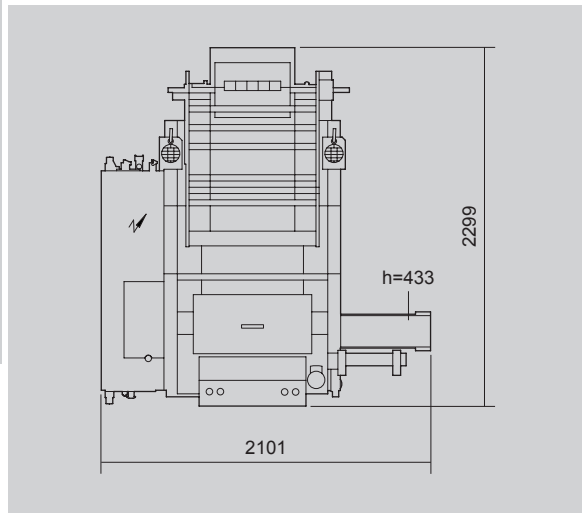
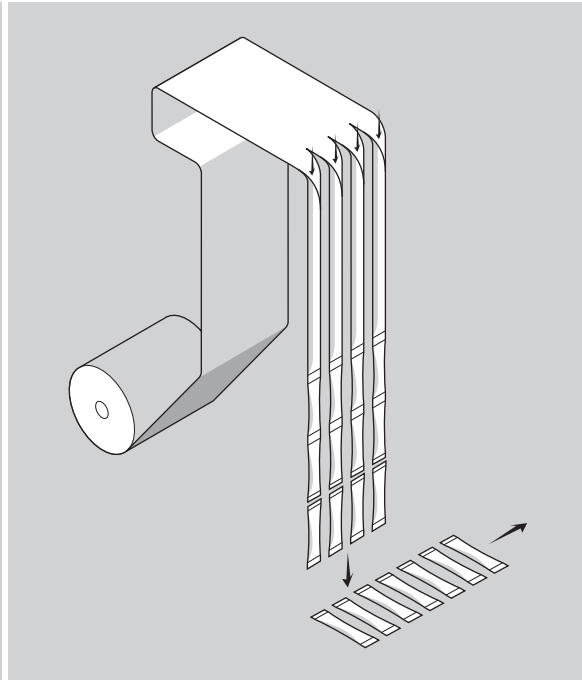


This publication supersedes and replaces any previous edition and revision. All rights reserved.  
 No part of this publication may be reproduced, stored in a retrieval system or transmitted in any form  
 or by any means, electronic, mechanical, photocopying, recording or otherwise, without permission  
 of Tecnicam s.r.l. (Bologna - Italy).  
 The technical data are not binding and may be subject to change without prior notice.

# 8000/10

## High speed stick packaging vertical machine



### TECHNICAL DATA

Mechanical speed	<b>STROKES/1'</b>	60 <small>(Depending on package size)</small>
Power absorption (max.)	<b>KW</b>	12
Air consumption	<b>NI/1'</b>	500
Air pressure	<b>bar</b>	6
Gross weight	<b>kg</b>	~1800
Size range	<b>min.</b>	<b>max.</b>
<b>A</b>	15	50
<b>C</b>	40	180
<b>L (Reel width)</b>	-	580

FM-800010-02-uk (13/04/2015)