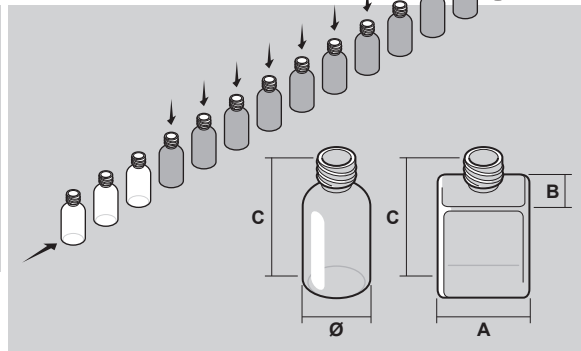
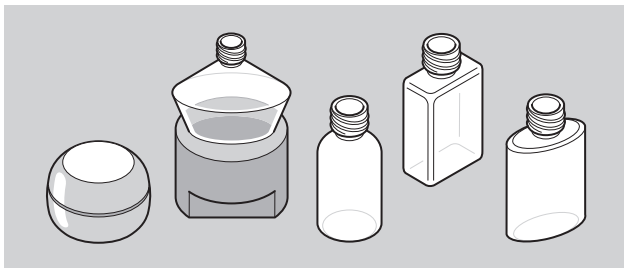


This publication supersedes and replaces any previous edition and revision. All rights reserved.
 No part of this publication may be reproduced, stored in a retrieval system or transmitted in any form or by any means, electronic, mechanical, photocopying, recording or otherwise, without permission of Tecnicam s.r.l. (Bologna - Italy).
 The technical data are not binding and may be subject to change without prior notice.

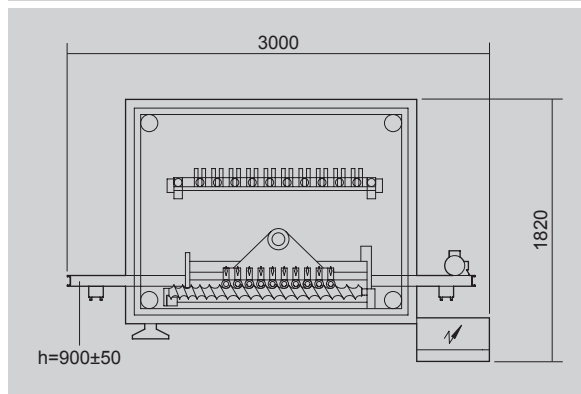
LL

Linear intermittent motion filling machine



TECHNICAL DATA

Mechanical speed	STROKES/1'	150
Power absorption (max.)	KW	4.5
Air consumption	NI/1'	200
Air pressure	bar	5+6
Gross weight	kg	~1950
Net weight	kg	~1400
Size range		
	min.	max.
A	20	74
B	20	105
Ø	20	105
C	40	180



FM-LL-02-uk (10/11/2014)