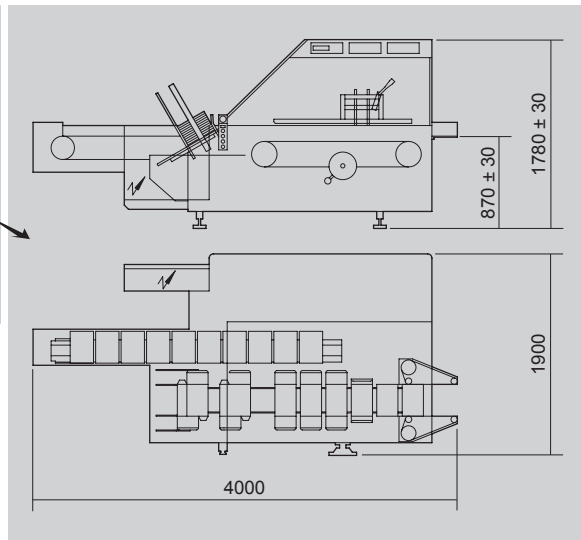
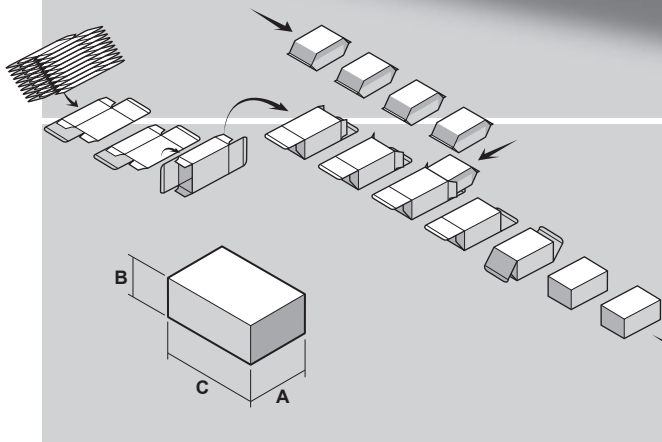


This publication supersedes and replaces any previous edition and revision. All rights reserved.
 No part of this publication may be reproduced, stored in a retrieval system or transmitted in any form
 or by any means, electronic, mechanical, photocopying, recording or otherwise, without permission
 of Tecnicam s.r.l. (Bologna - Italy).
 The technical data are not binding and may be subject to change without prior notice.

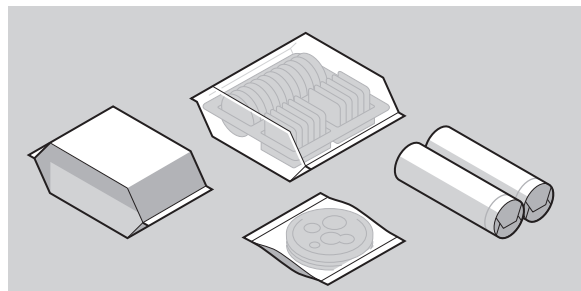
PG

Intermittent motion horizontal cartoner for large size products



TECHNICAL DATA

Mechanical speed	STROKES/1'	15÷70
Motors	KW	1.87
Power absorption	KW	2.5 (Hot-melt + 3.9)
Air consumption	NI/1'	16.9
Air pressure	bar	5÷6
Gross weight	kg	~2300
Net weight	kg	~1800
<hr/>		
Size range	min.	max.
A	50	200
B	25	120
C	100	300
A + B	-	290



FM-PG-02-uk (10/11/2014)