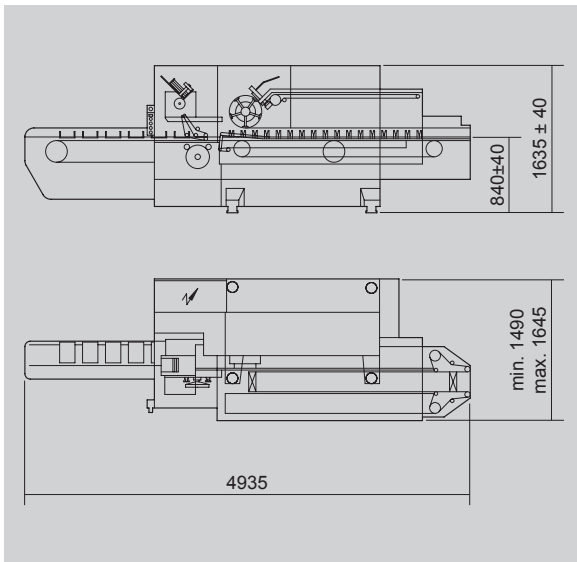
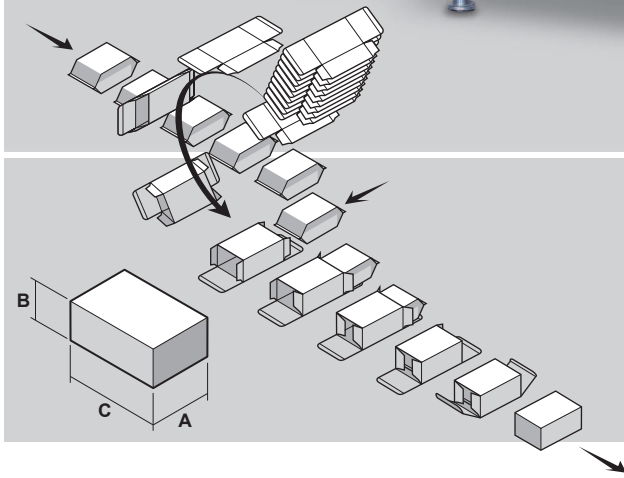
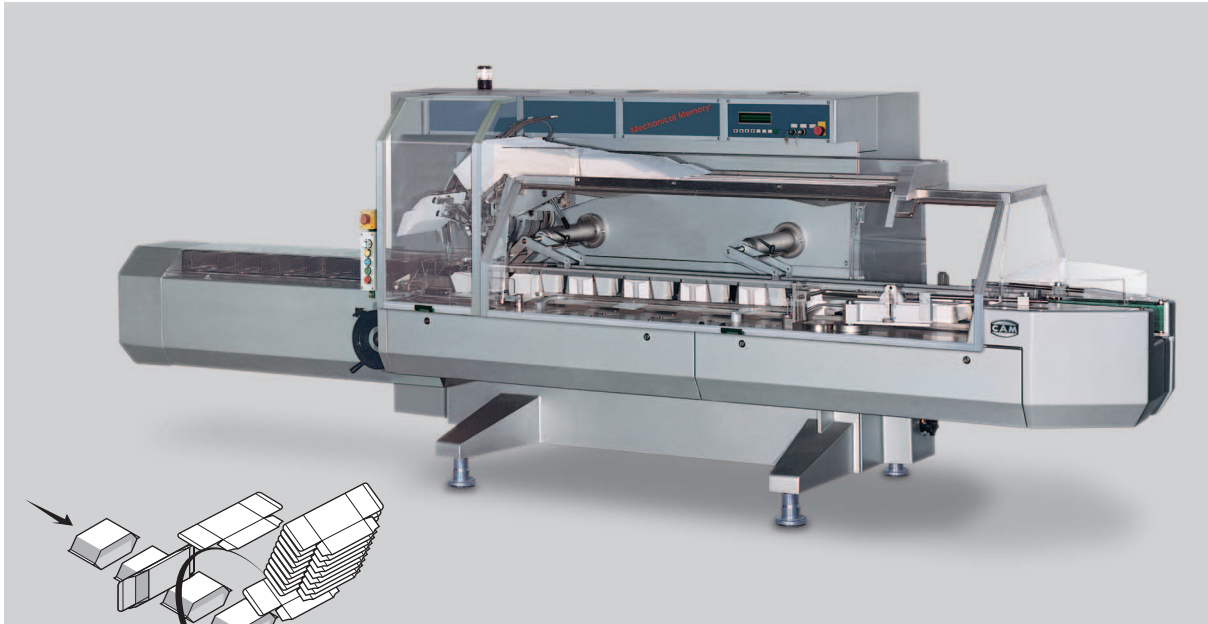


This publication supersedes and replaces any previous edition and revision. All rights reserved.
 No part of this publication may be reproduced, stored in a retrieval system or transmitted in any form
 or by any means, electronic, mechanical, photocopying, recording or otherwise, without permission
 of Tecnicam s.r.l. (Bologna - Italy).
 The technical data are not binding and may be subject to change without prior notice.

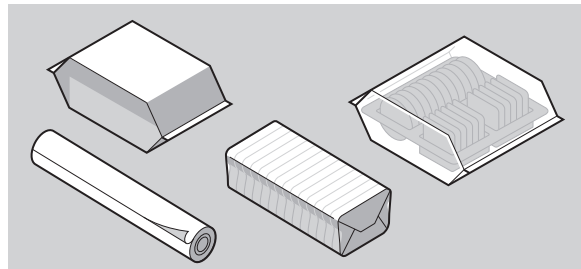
HG

High speed continuous motion horizontal cartoner for large size products



TECHNICAL DATA

Mechanical speed	STROKES/1'	max. 200
Motors	KW	4.25
Power absorption	KW	5.20 (Hot-melt + 3.9)
Air consumption	NI/1'	16.9
Air pressure	bar	5+6
Gross weight	kg	~3100
Net weight	kg	~2600
<hr/>		
Size range	min.	max.
A	50	200
B (Tuck-in)	30	70
B (Hot melt)	30	100
C	70	230
A+B	-	230



FM-HG-02-uk (10/11/2014)