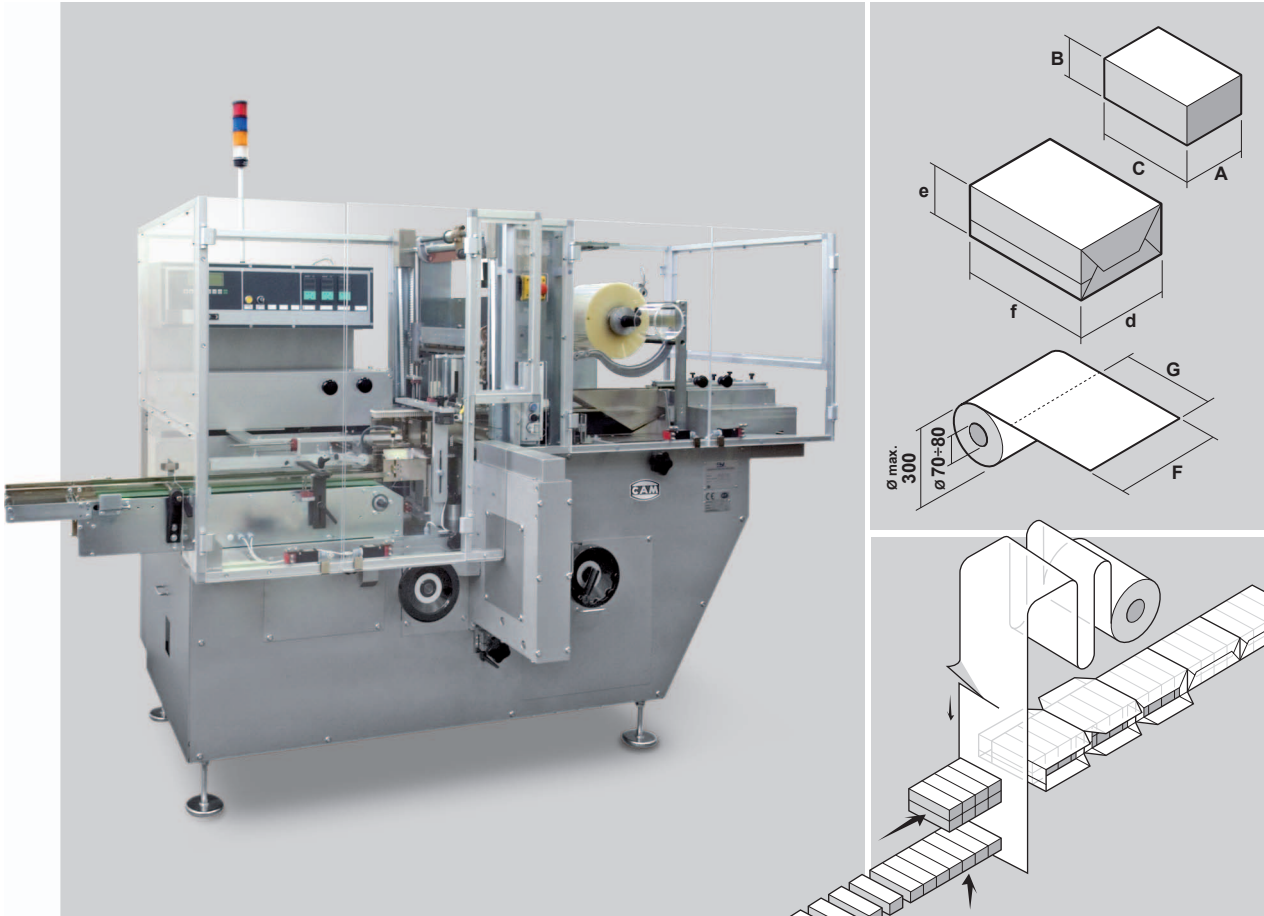


This publication supersedes and replaces any previous edition and revision. All rights reserved.
 No part of this publication may be reproduced, stored in a retrieval system or transmitted in any form
 or by any means, electronic, mechanical, photocopying, recording or otherwise, without permission
 of Tecnicam s.r.l. (Bologna - Italy).
 The technical data are not binding and may be subject to change without prior notice.

G35

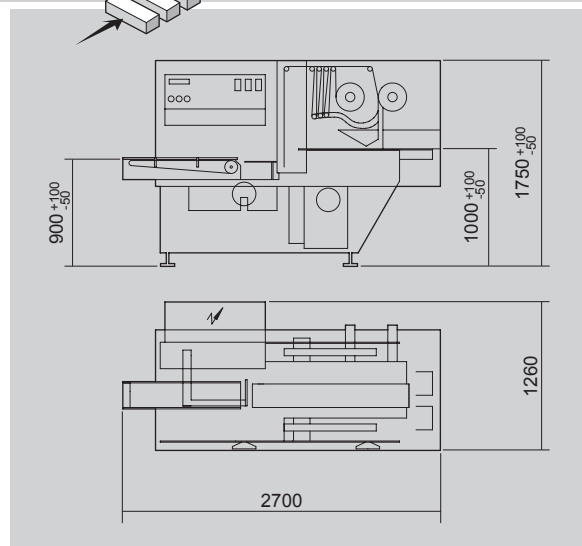
Bundler with complete overwrapping



TECHNICAL DATA

Mechanical speed	STROKES/1'	35
Power absorption	KW	3.5
Gross weight	kg	~1830
Net weight	kg	~1350

Size range	min.	max.
A	20	300
B	12	85
C	50	200
d	50	300
e	30	150
f	50	300
F	95	460
G	210	925



FM-G35-02-uk (10/11/2014)