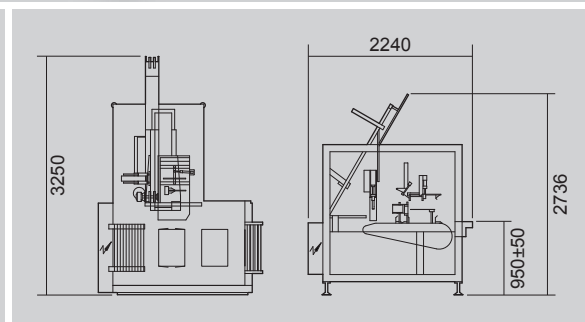
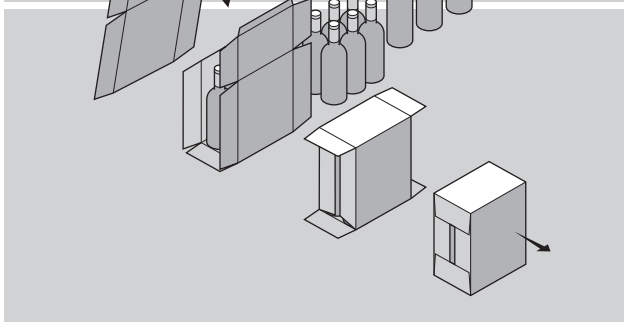
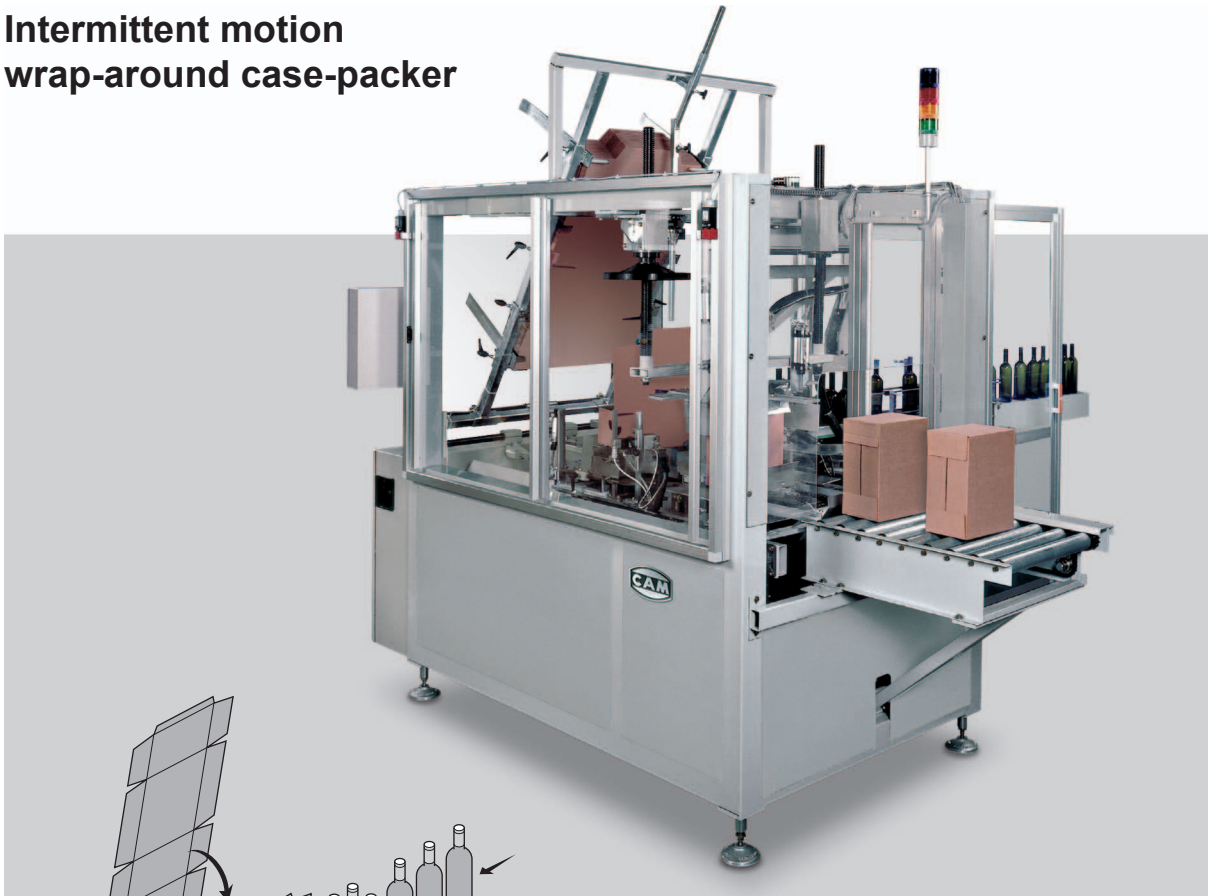


This publication supersedes and replaces any previous edition and revision. All rights reserved.
 No part of this publication may be reproduced, stored in a retrieval system or transmitted in any form
 or by any means, electronic, mechanical, photocopying, recording or otherwise, without permission
 of Tecnicam s.r.l. (Bologna - Italy).
 The technical data are not binding and may be subject to change without prior notice.

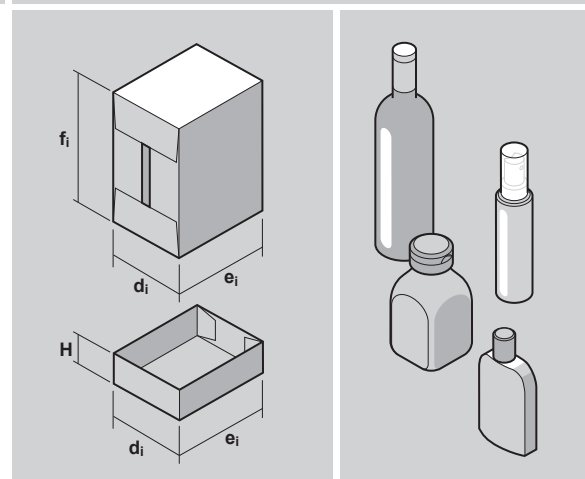
W30

Intermittent motion wrap-around case-packer



TECHNICAL DATA

Mechanical speed	STROKES/1'	10
Power absorption (max.)	KW	8
Air consumption	NI/1'	22
Air pressure	bar	6
Gross weight	kg	~1350
Net weight	kg	~1200
<hr/>		
Size range	min.	max.
d_i	100	360
e_i	190	500
f_i	70	360
H	40	360



FM-W30-01-uk (15/04/2014)