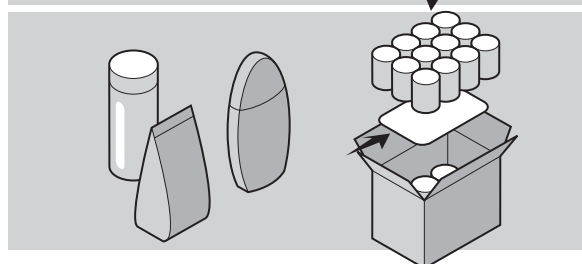
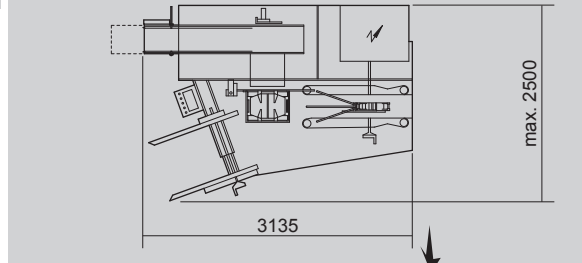
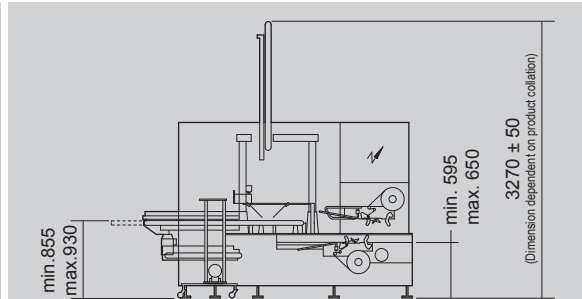
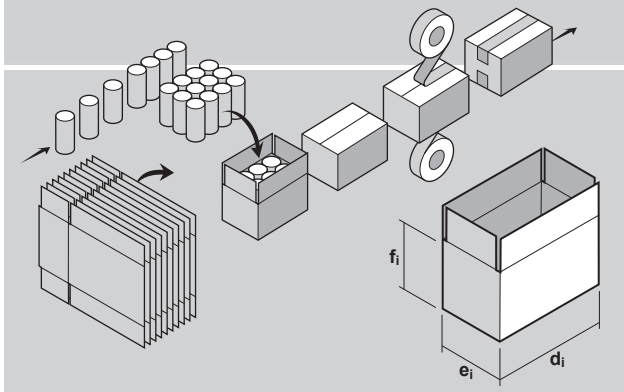


This publication supersedes and replaces any previous edition and revision. All rights reserved.  
 No part of this publication may be reproduced, stored in a retrieval system or transmitted in any form  
 or by any means, electronic, mechanical, photocopying, recording or otherwise, without permission  
 of Tecnicam s.r.l. (Bologna - Italy).  
 The technical data are not binding and may be subject to change without prior notice.

# SMV

## Vertical case-packer for shipping cases



TECHNICAL DATA		SMV 1	SMV 2
Pick-&-place speed (max.)	<b>STROKES/1'</b>	20	40
Production up to	<b>CASES/1'</b>	12	15
Power absorption	<b>KW</b>	8 (Hot-melt + 3.2)	8 (Hot-melt + 3.2)
Air consumption	<b>NI/1'</b>	500	500
Air pressure	<b>bar</b>	6	6
Gross weight	<b>kg</b>	~2300	~2600
Net weight	<b>kg</b>	~1850	~2000
<b>Size range</b>			
	<b>SMV 1 min. max.</b>		<b>SMV 2 min. max.</b>
<b>d<sub>i</sub></b>	200 595		200 595
<b>e<sub>i</sub></b>	120 395		120 395
<b>f<sub>i</sub></b>	105 395		105 395

FM-SMV-02-uk (10/11/2014)