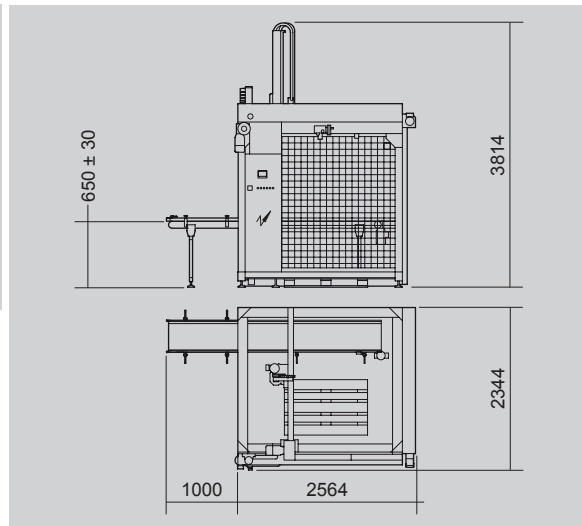
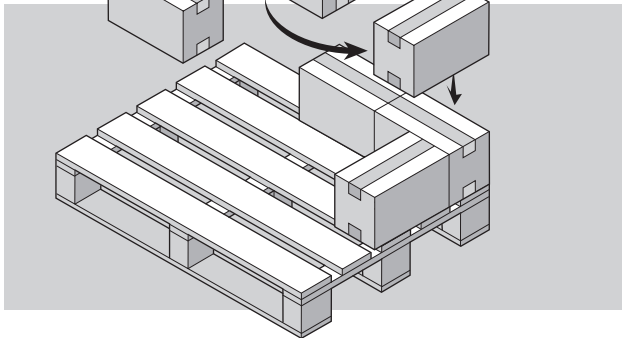


This publication supersedes and replaces any previous edition and revision. All rights reserved.  
 No part of this publication may be reproduced, stored in a retrieval system or transmitted in any form  
 or by any means, electronic, mechanical, photocopying, recording or otherwise, without permission  
 of Tecnicam s.r.l. (Bologna - Italy).  
 The technical data are not binding and may be subject to change without prior notice.

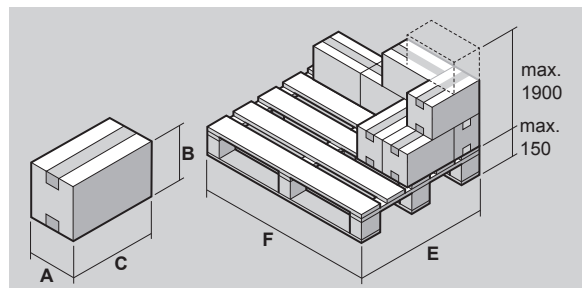
# ZP EASY

## Palletizer for shipping cases



### TECHNICAL DATA

Mechanical speed	<b>STROKES/1'</b>	max. 12
Power absorption (max.)	<b>KW</b>	2
Air consumption	<b>NI/Cycle</b>	5
Air pressure	<b>bar</b>	6
Gross weight	<b>kg</b>	~1250
Net weight	<b>kg</b>	~750
<b>Size range</b>		
	<b>min.</b>	<b>max.</b>
<b>A</b>	120	600
<b>B</b>	12	500
<b>C</b>	120	600
<b>E</b>	-	1219
<b>F</b>	-	1219



FM-ZPeasy-02-uk (10/11/2014)