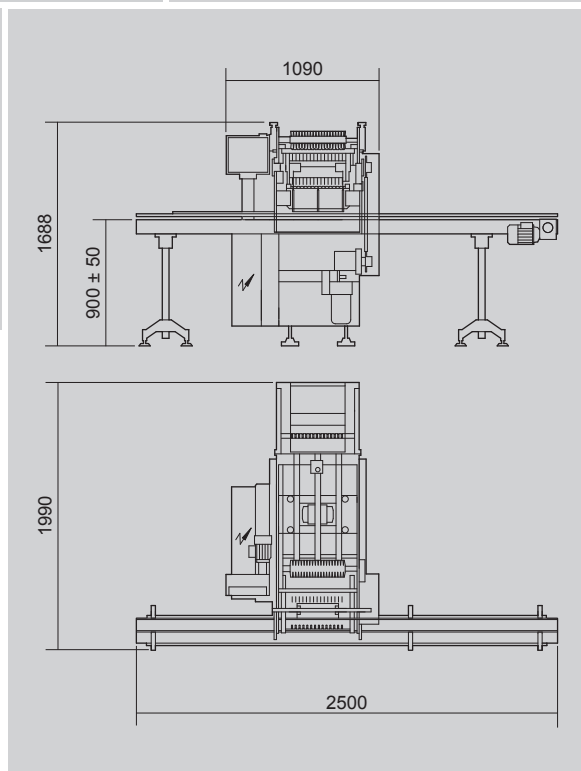
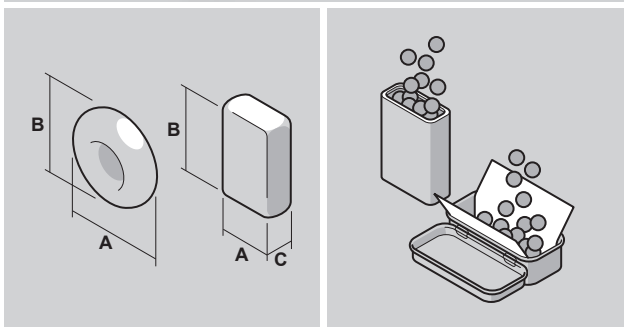
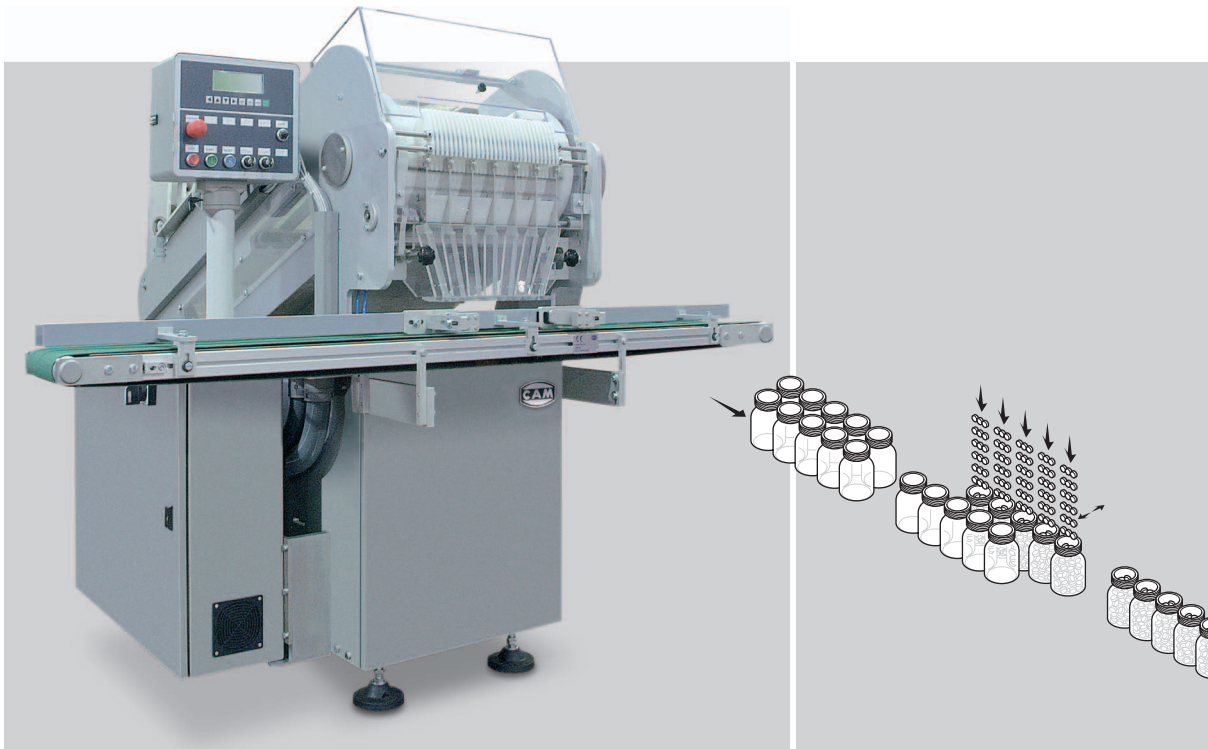


This publication supersedes and replaces any previous edition and revision. All rights reserved.  
 No part of this publication may be reproduced, stored in a retrieval system or transmitted in any form  
 or by any means, electronic, mechanical, photocopying, recording or otherwise, without permission  
 of Tecnicam s.r.l. (Bologna - Italy).  
 The technical data are not binding and may be subject to change without prior notice.

# CM

## Slat-type counting machine



TECHNICAL DATA		CM 30	CM 45
Production up to	<b>TABLETS/1'</b>	6000	9000
Power absorption	<b>KW</b>	2.5 (max.)	2.5 (max.)
Air consumption	<b>NI/1'</b>	16.9	16.9
Air pressure	<b>bar</b>	6	6
Gross weight	<b>kg</b>	~700	~1250
Net weight	<b>kg</b>	~600	~830
Size range	<b>CM 30 min. max.</b>	<b>CM 45 min. max.</b>	
<b>A</b>	5 20	5 20	
<b>B</b>	5 22	5 22	
<b>C</b>	2 12	2 12	

FM-CM-02-uk (10/11/2014)