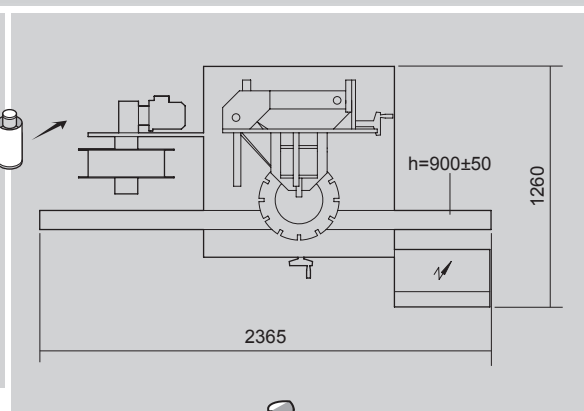
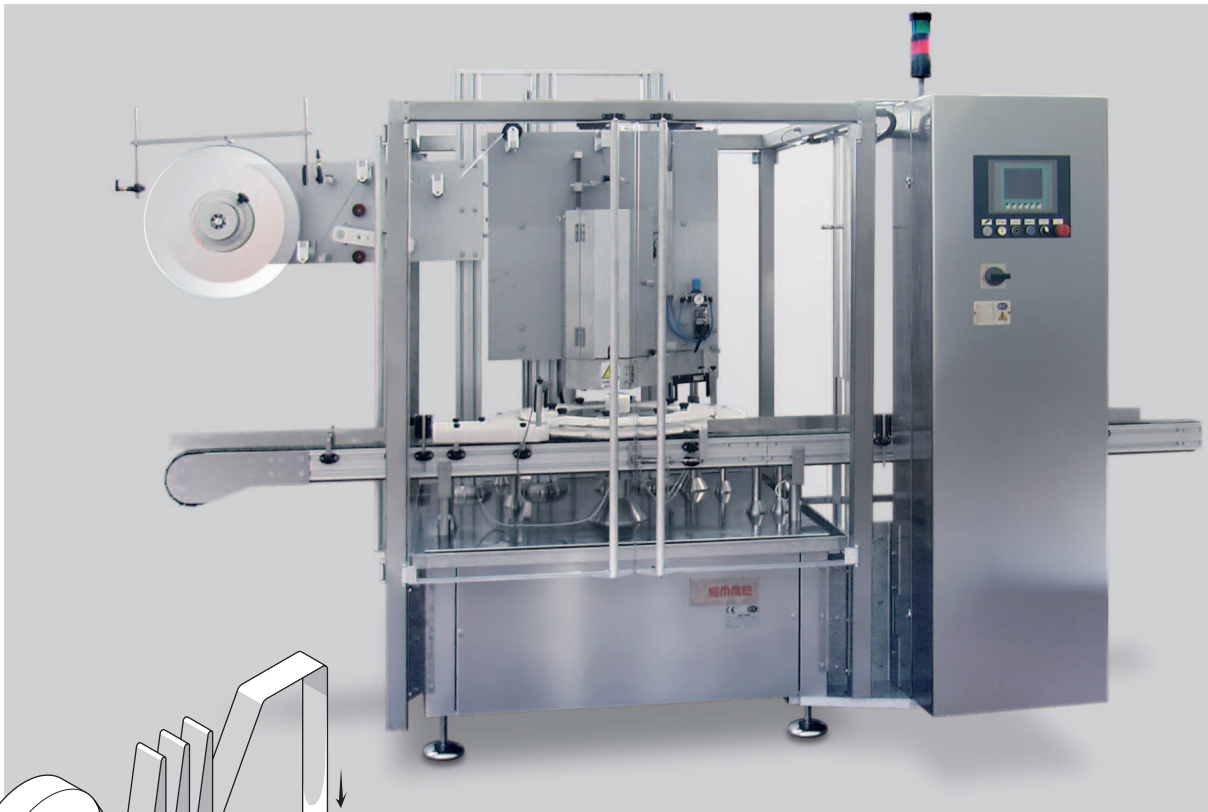


This publication supersedes and replaces any previous edition and revision. All rights reserved.
 No part of this publication may be reproduced, stored in a retrieval system or transmitted in any form
 or by any means, electronic, mechanical, photocopying, recording or otherwise, without permission
 of Tecnicam s.r.l. (Bologna - Italy).
 The technical data are not binding and may be subject to change without prior notice.

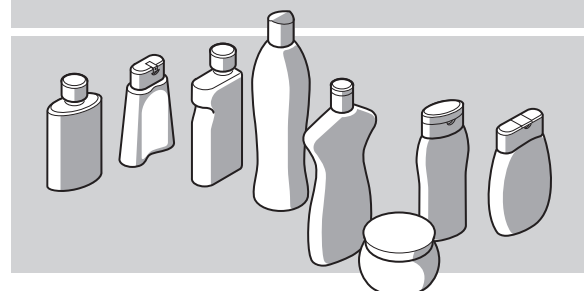
SL4000

Alternate motion shrink-sleeve application machine



TECHNICAL DATA

Mechanical speed	STROKES/1'	67
Power absorption	KW	1.1
Size range	min.	max.
Ø	25	100
c	30	300



FM-SL4000-02-uk (10/11/2014)