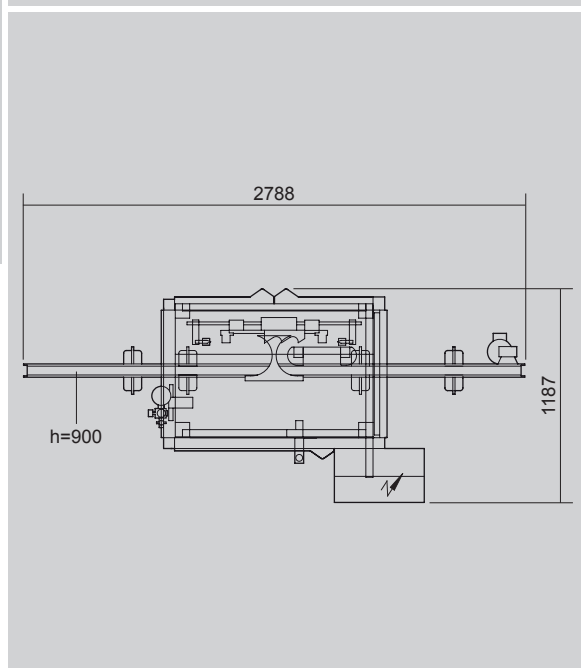
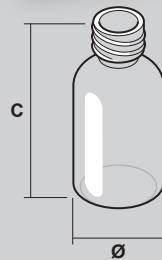
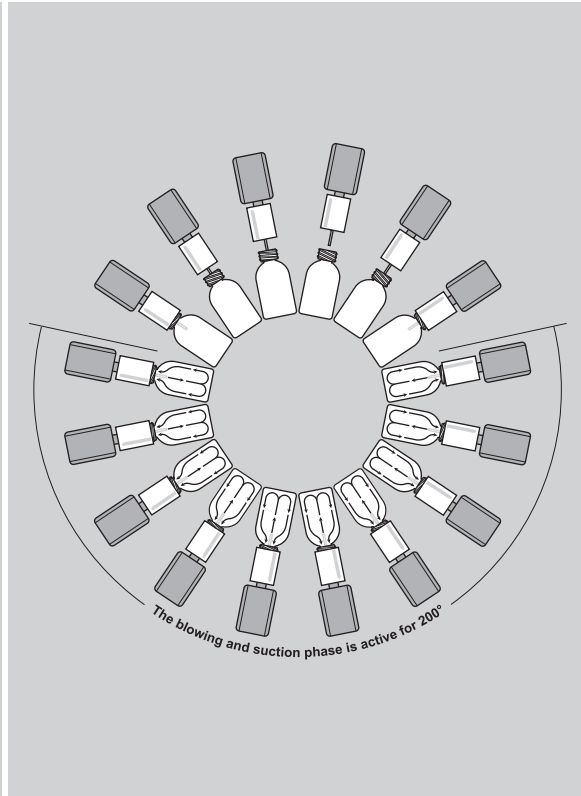
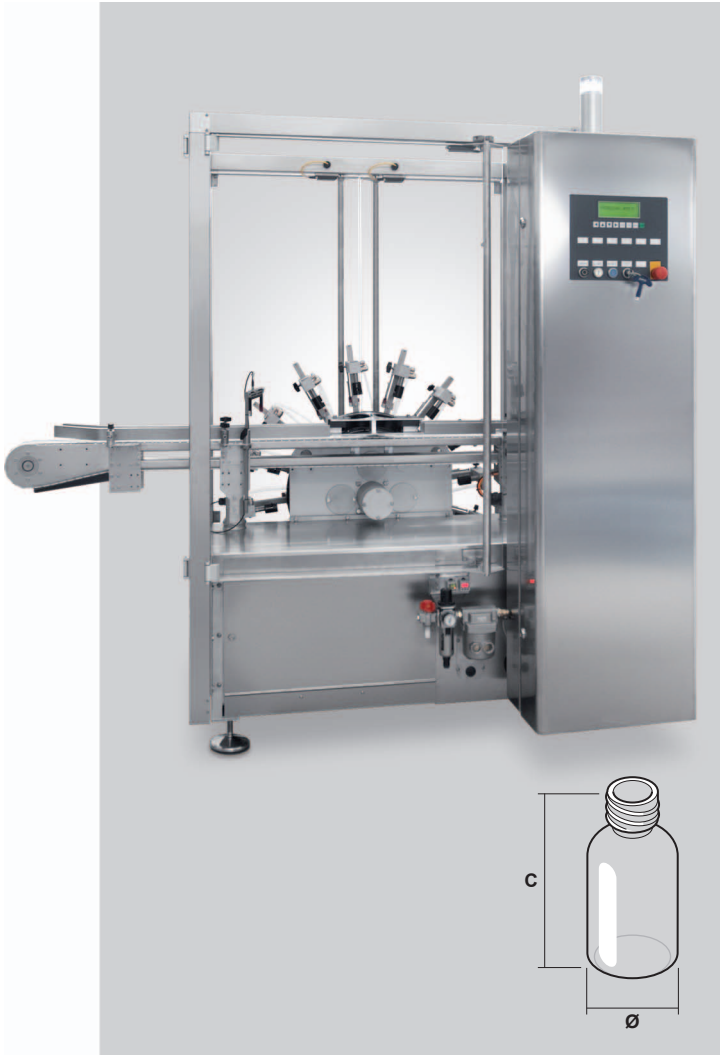


This publication supersedes and replaces any previous edition and revision. All rights reserved.  
 No part of this publication may be reproduced, stored in a retrieval system or transmitted in any form  
 or by any means, electronic, mechanical, photocopying, recording or otherwise, without permission  
 of Tecnicam s.r.l. (Bologna - Italy).  
 The technical data are not binding and may be subject to change without prior notice.

# SVA

## Vertical continuous motion bottle cleaning machine with blowing/suction system



### TECHNICAL DATA

Mechanical speed	<b>STROKES/1'</b>	140
Power absorption	<b>KW</b>	2.3
Air consumption	<b>NI/1'</b>	900
Air pressure	<b>bar</b>	5+6
Gross weight	<b>kg</b>	~1000
Net weight	<b>kg</b>	~800
Size range	<b>min.</b>	<b>max.</b>
<b>Ø</b>	20	80
<b>C</b>	30	180

FM-SVA-01-uk (29/08/2014)