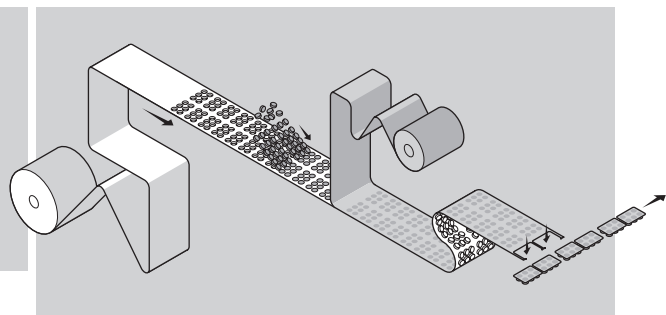
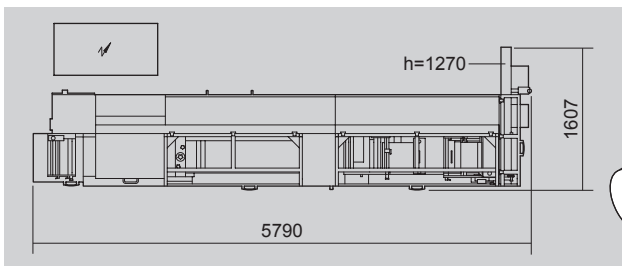


This publication supersedes and replaces any previous edition and revision. All rights reserved.  
 No part of this publication may be reproduced, stored in a retrieval system or transmitted in any form  
 or by any means, electronic, mechanical, photocopying, recording or otherwise, without permission  
 of Tecnicam s.r.l. (Bologna - Italy).  
 The technical data are not binding and may be subject to change without prior notice.

# MK33

## High speed blister packaging machine with plate sealing

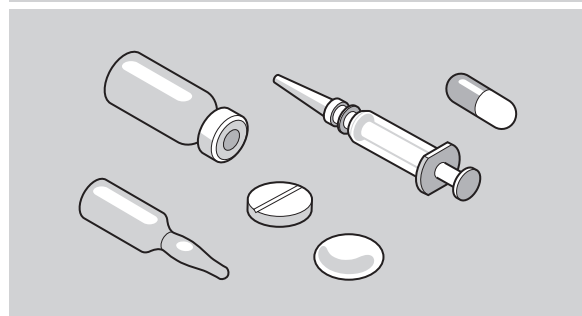
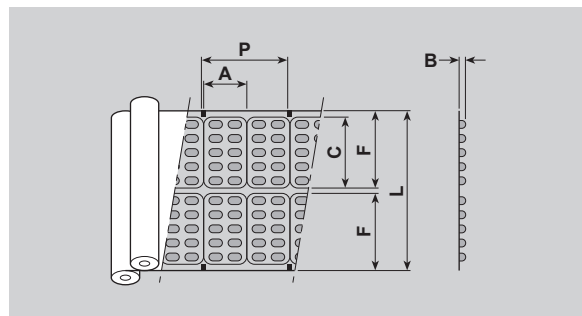


### TECHNICAL DATA

Production up to	<b>BLISTERS/1'</b>	480 (600)
Mechanical speed	<b>STROKES/1'</b>	20+60
Power absorption (max.)	<b>KW</b>	15
Air consumption	<b>NI/1'</b>	500
Air pressure	<b>bar</b>	6
Net weight	<b>kg</b>	~4500

Size range	min.	max.
L Web width (mm)	90	333
P Stroke length (mm)	70	220
A Blister width (mm)	30	90
B Forming depth (mm)	3	12
C Blister length (mm)	60	-
F Blister rows across the web	1	3
Blister rows along the pitch (N)	1	4
Number of blisters per cycle (G)	1	12

**Forming materials** PVC; PVC+PVDC; TRIPLEX; COC; ACLAR; ALU



FM-MK33-04-uk (10/05/2015)