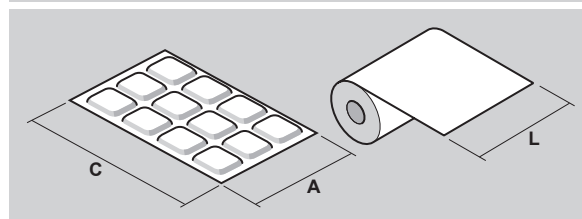
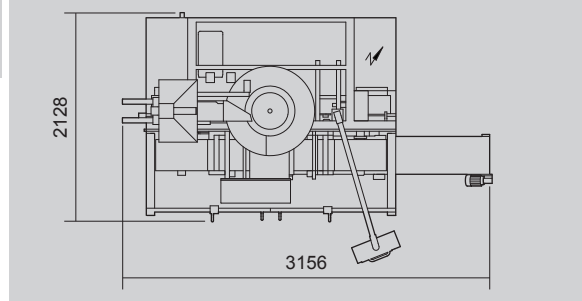
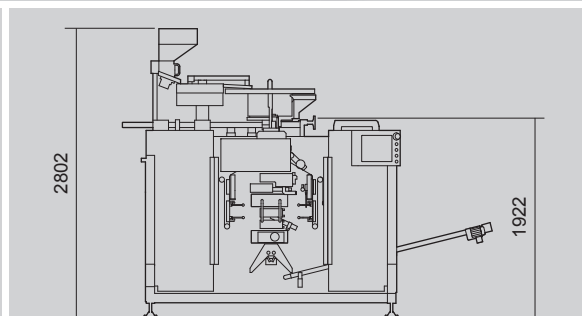
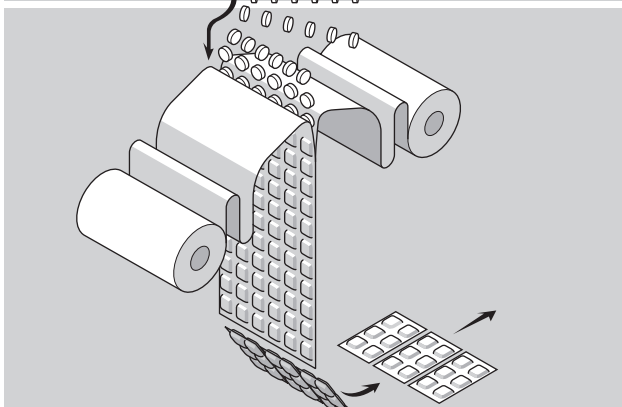
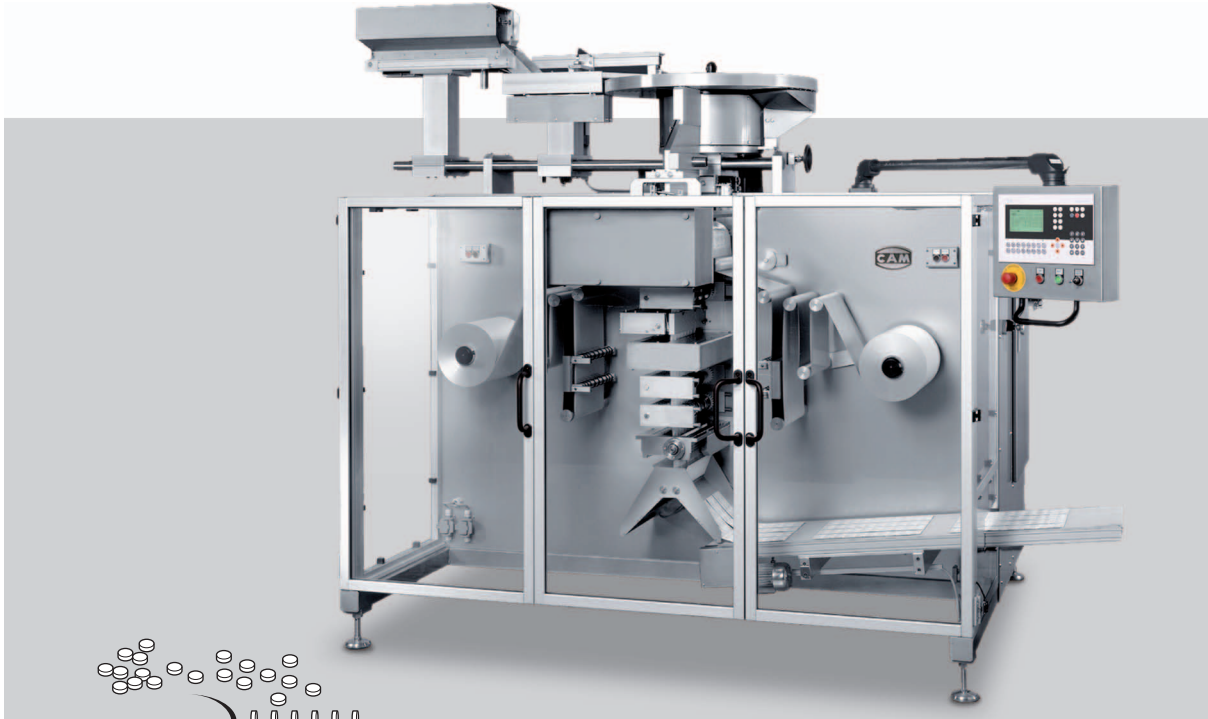


This publication supersedes and replaces any previous edition and revision. All rights reserved.
 No part of this publication may be reproduced, stored in a retrieval system or transmitted in any form
 or by any means, electronic, mechanical, photocopying, recording or otherwise, without permission
 of Tecnicam s.r.l. (Bologna - Italy).
 The technical data are not binding and may be subject to change without prior notice.

5000/360

High speed strip packaging vertical machine



TECHNICAL DATA

Mechanical speed	STROKES/1'	300 <small>(Depending on package size)</small>
Power absorption (max.)	KW	9.5
Air consumption	NI/1'	160
Air consumption with pneumatic cutter	NI/1'	240
Air pressure	bar	6
Gross weight	kg	~1900
Size range	min.	max.
A	20	350
C	20	Programmable
L (Reel width)	-	360

FM-5000360-03-uk (08/04/2015)