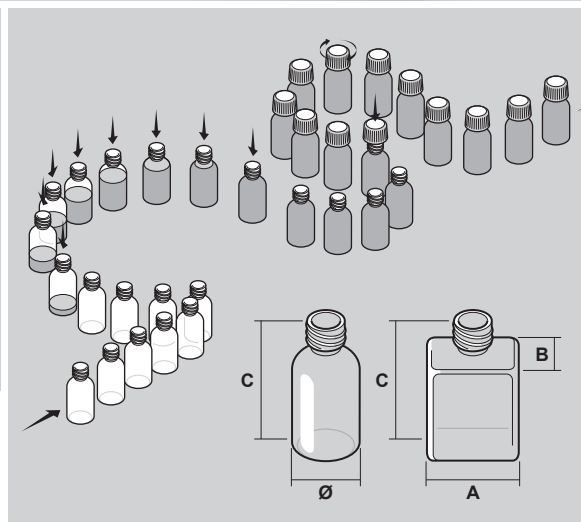
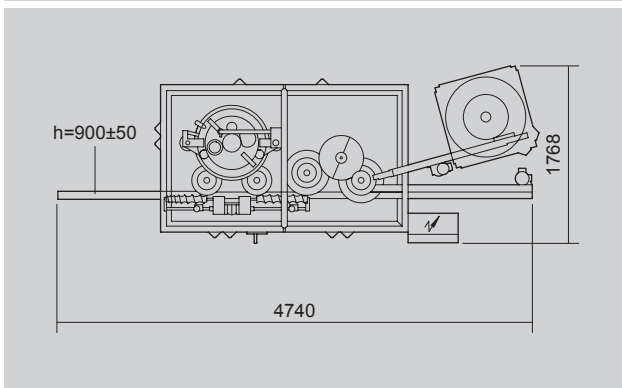


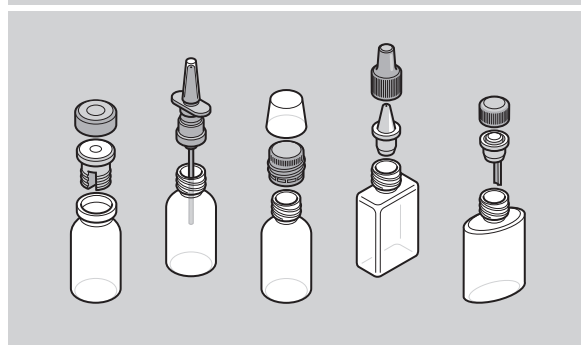
This publication supersedes and replaces any previous edition and revision. All rights reserved.
 No part of this publication may be reproduced, stored in a retrieval system or transmitted in any form
 or by any means, electronic, mechanical, photocopying, recording or otherwise, without permission
 of Tecnicam s.r.l. (Bologna - Italy).
 The technical data are not binding and may be subject to change without prior notice.

L112/L212

High speed continuous motion liquid filling and capping monobloc



TECHNICAL DATA		L112	L212
Mechanical speed	STROKES/1'	80+400	80+400
Power absorption	KW	5	7
Air consumption	NI/1'	100	100
Air pressure	bar	5+6	5+6
Gross weight	kg	~2000	~2650
Net weight	kg	~1400	~1950
Size range	min.	max.	
A	15	80	
B	15	80	
Ø	15	100	
C	35	180	



FM-L112L212-04-uk (10/06/2015)