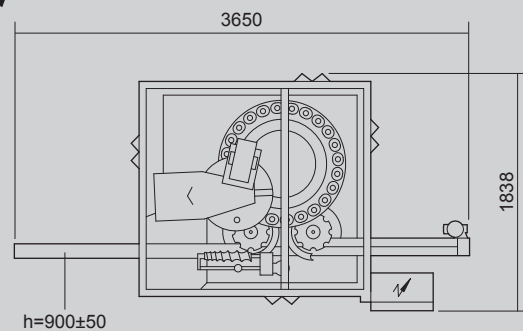
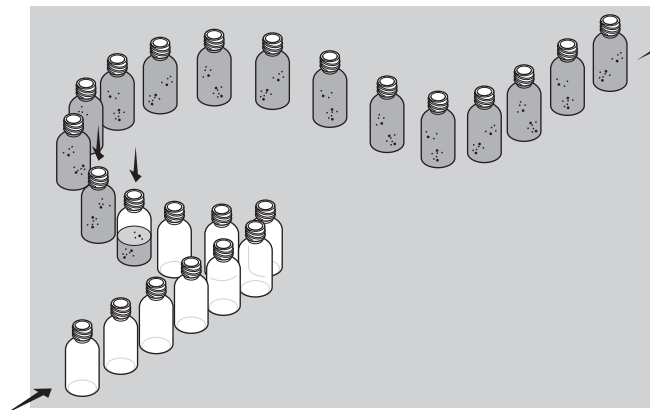


This publication supersedes and replaces any previous edition and revision. All rights reserved.
 No part of this publication may be reproduced, stored in a retrieval system or transmitted in any form
 or by any means, electronic, mechanical, photocopying, recording or otherwise, without permission
 of Tecnicam s.r.l. (Bologna - Italy).
 The technical data are not binding and may be subject to change without prior notice.

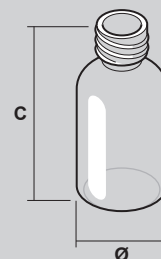
D100

Continuous motion powder dosing machine



TECHNICAL DATA

Mechanical speed	STROKES/1'	150
Power absorption	KW	~3
Net weight	kg	2000
Size range	min.	max.
Doses ml	5	75
Ø	15	80
C	35	150



FM-D100-02-uk (10/06/2015)