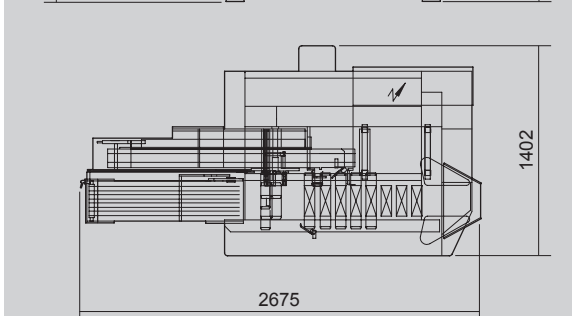
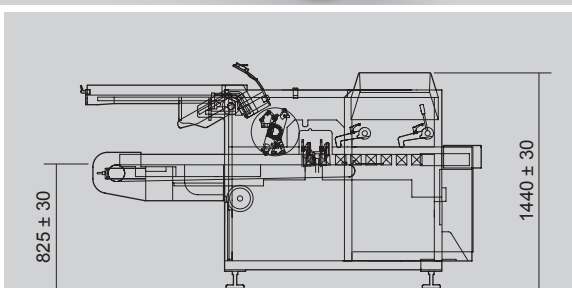
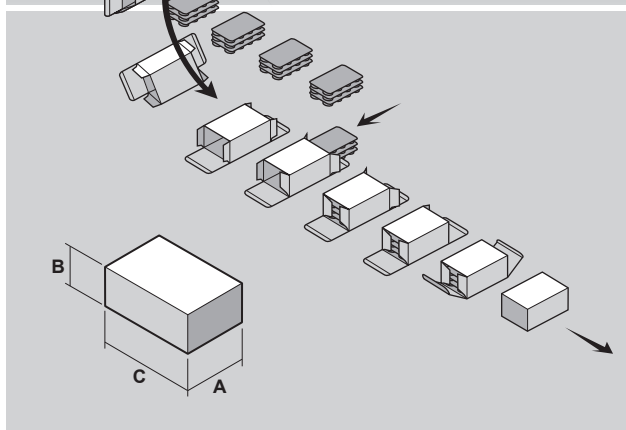
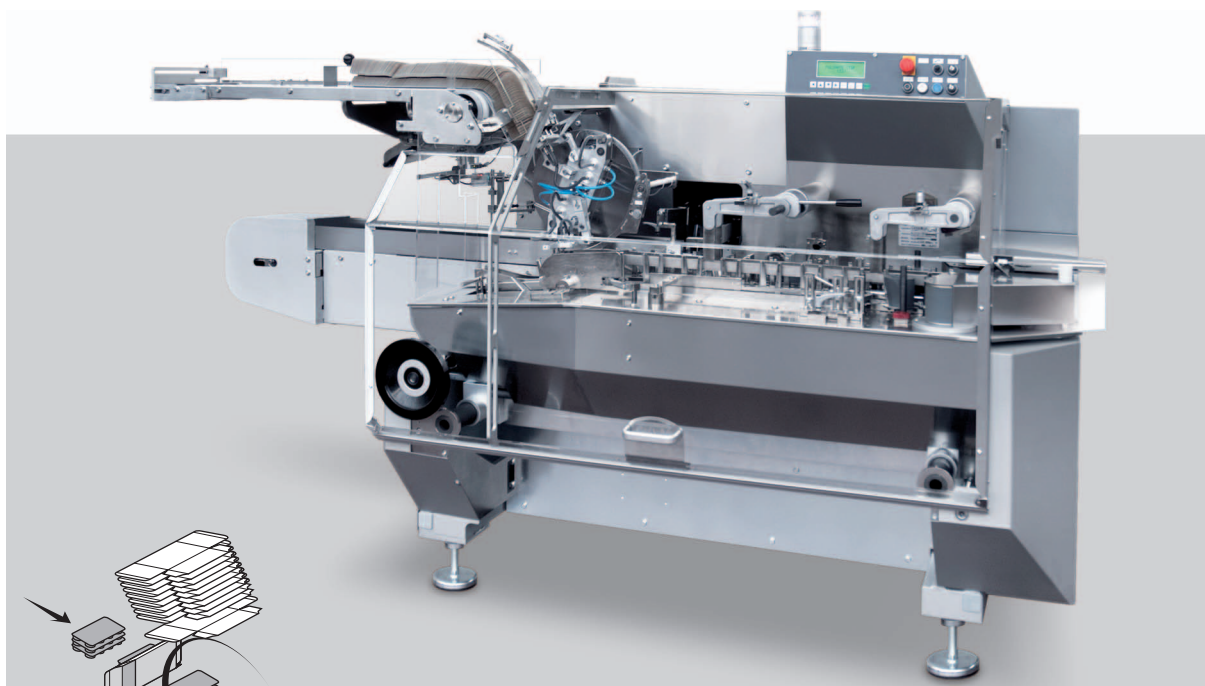


This publication supersedes and replaces any previous edition and revision. All rights reserved.
 No part of this publication may be reproduced, stored in a retrieval system or transmitted in any form
 or by any means, electronic, mechanical, photocopying, recording or otherwise, without permission
 of Tecnicam s.r.l. (Bologna - Italy).
 The technical data are not binding and may be subject to change without prior notice.

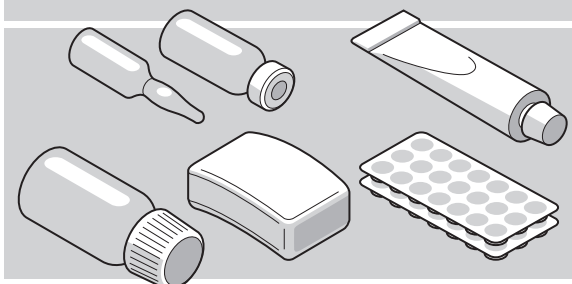
PVX

High speed intermittent motion horizontal cartoner



TECHNICAL DATA

| | | |
|------------------|-------------------|----------------------|
| Mechanical speed | STROKES/1' | 250 |
| Power absorption | KW | 2.1 (Hot-melt + 3.9) |
| Air consumption | NI/1' | 16.9 |
| Air pressure | bar | 5÷6 |
| Gross weight | kg | ~1400 |
| Net weight | kg | ~1230 |
| Size range | min. | max. |
| A | 15 | 80 |
| B | 12 | 75 |
| C | 65 | 160 |
| A + B | - | 155 |



FM-PVX-02-uk (10/11/2014)