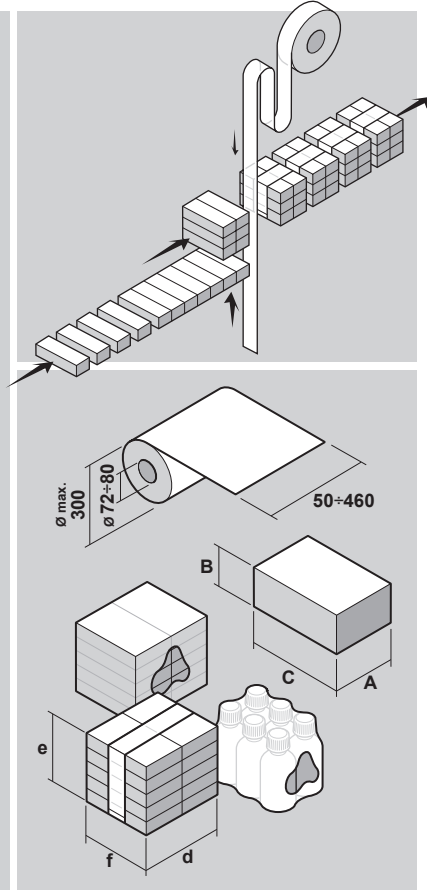


This publication supersedes and replaces any previous edition and revision. All rights reserved.
 No part of this publication may be reproduced, stored in a retrieval system or transmitted in any form
 or by any means, electronic, mechanical, photocopying, recording or otherwise, without permission
 of Tecnicam s.r.l. (Bologna - Italy).
 The technical data are not binding and may be subject to change without prior notice.



ASB38

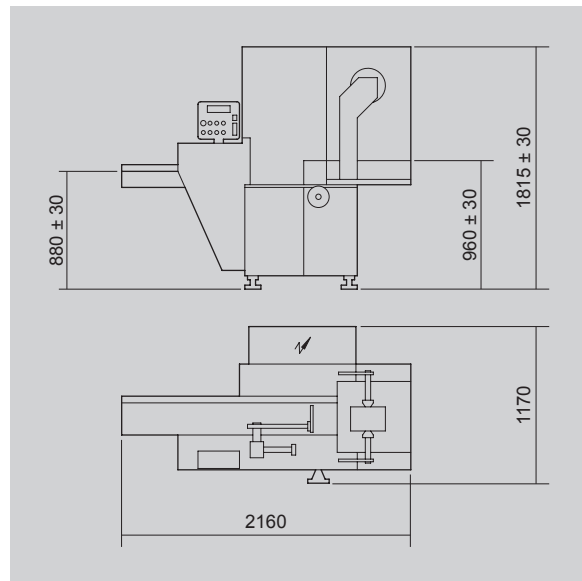
Bundler with stretch-banding or shrink-wrapping



TECHNICAL DATA

Mechanical speed	STROKES/1'	max. 30
Motors	KW	0.77
Power absorption (max.)	KW	1.8
Air consumption	NI/1'	180+300
Air pressure	bar	5+6
Gross weight	kg	~800
Net weight	kg	~600

Size range	min.	max.
A	15	360
B	12	70
C	50	250
d	40	360
e	24	210
f	50	250



FM-ASB38-02-uk (10/11/2014)