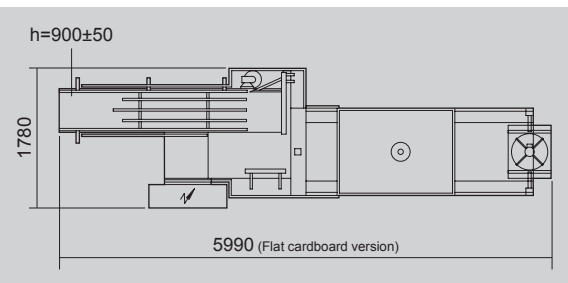
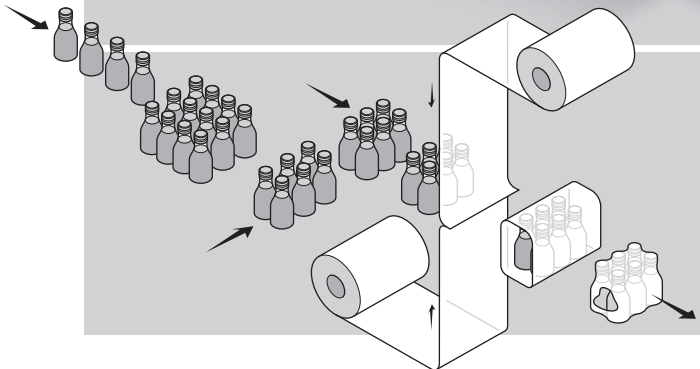
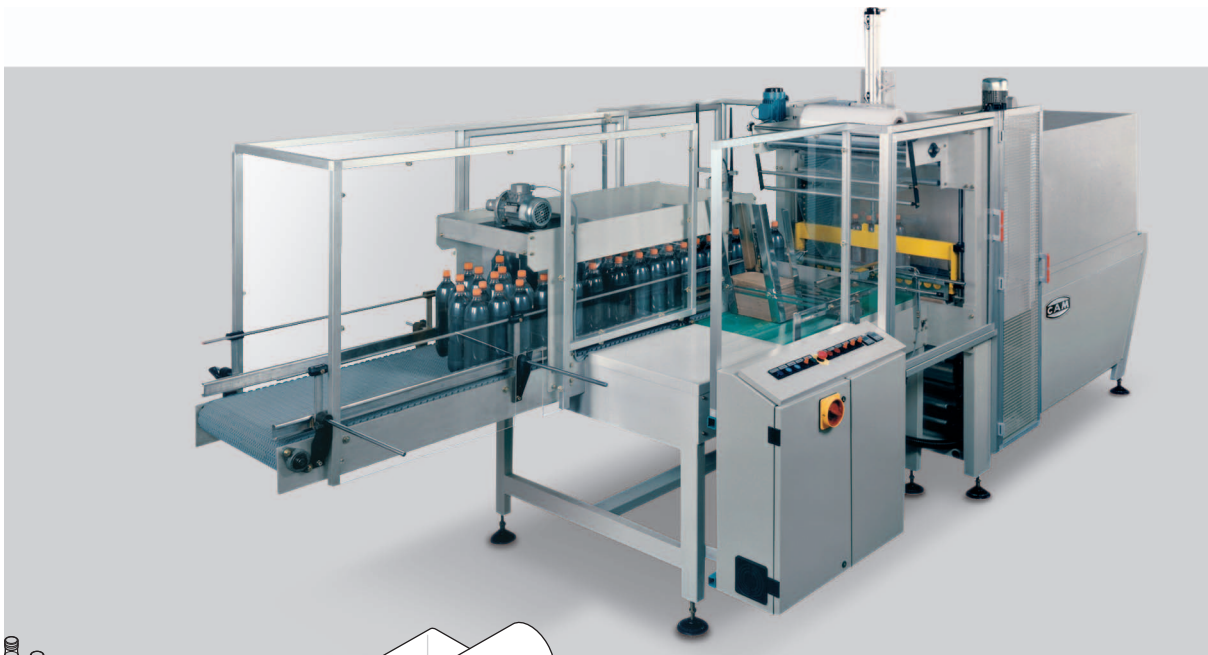


This publication supersedes and replaces any previous edition and revision. All rights reserved.
 No part of this publication may be reproduced, stored in a retrieval system or transmitted in any form or by any means, electronic, mechanical, photocopying, recording or otherwise, without permission of Tecnicam s.r.l. (Bologna - Italy).
 The technical data are not binding and may be subject to change without prior notice.

NV750

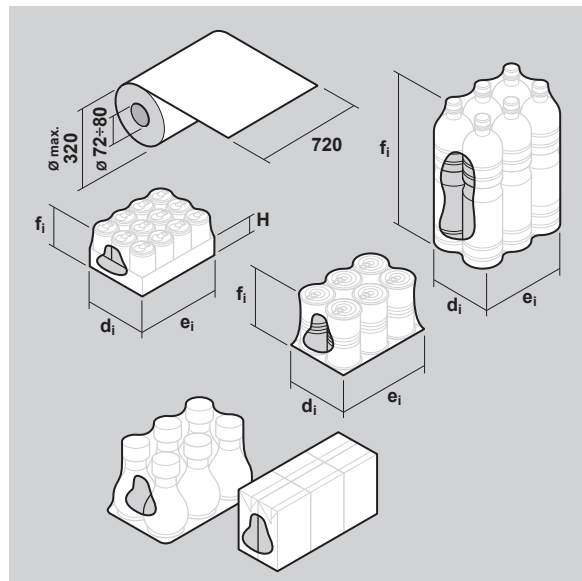
Intermittent motion bundler with shrink-wrapping



TECHNICAL DATA

	STROKES/1'	
Mechanical speed		10±17
Power absorption	KW	13
Air consumption	NI/1'	13
Air pressure	bar	6
Gross weight	kg	~1250
Net weight	kg	~1100

Size range	min.	max.
d_i	100	400
e_i	200	435
f_i	50	360
H	30	80
d_i+e_i	-	700
d_i+H	230	440
f_i+H	130	440



FM-NV750-02-uk (10/11/2014)