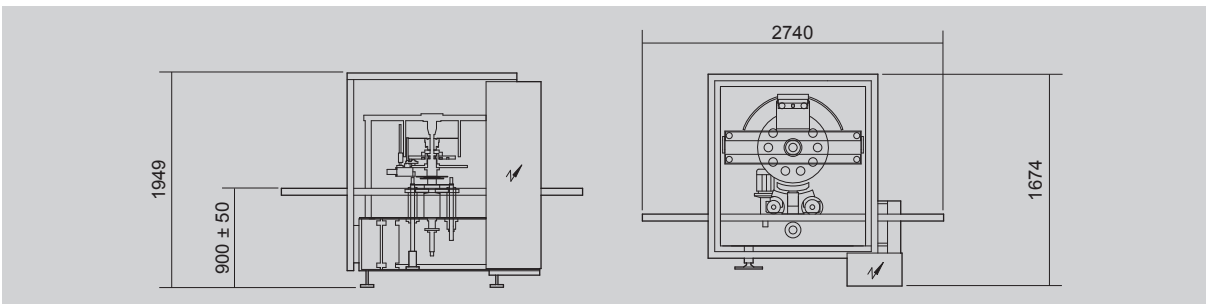


This publication supersedes and replaces any previous edition and revision. All rights reserved.
 No part of this publication may be reproduced, stored in a retrieval system or transmitted in any form
 or by any means, electronic, mechanical, photocopying, recording or otherwise, without permission
 of Tecnicam s.r.l. (Bologna - Italy).
 The technical data are not binding and may be subject to change without prior notice.

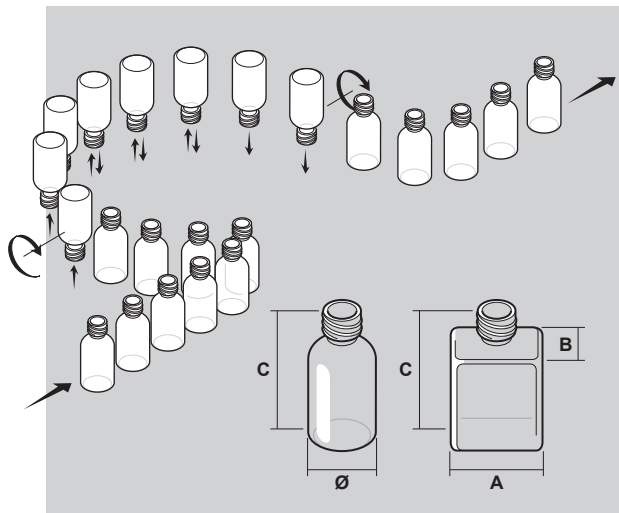
MS

Rotary continuous motion bottle cleaning machine with blowing/suction system



TECHNICAL DATA

Mechanical speed	STROKES/1'	400
Motors	KW	2.2
Power absorption	KW	3
Air consumption	NI/1'	600
Air pressure	bar	5+6
Gross weight	kg	~1900
Net weight	kg	~1300
<hr/>		
Size range	min.	max.
A	20	50
B	20	55
C	50	180
Ø	20	70



FM-MS-03-uk (26/01/2015)