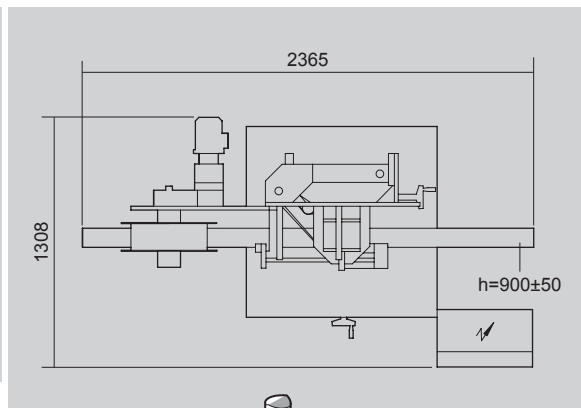
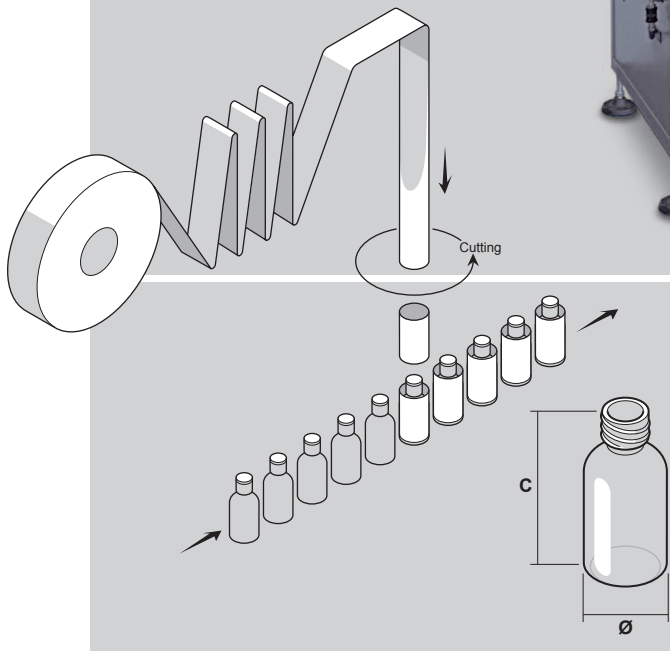


This publication supersedes and replaces any previous edition and revision. All rights reserved.
 No part of this publication may be reproduced, stored in a retrieval system or transmitted in any form
 or by any means, electronic, mechanical, photocopying, recording or otherwise, without permission
 of Tecnicam s.r.l. (Bologna - Italy).
 The technical data are not binding and may be subject to change without prior notice.

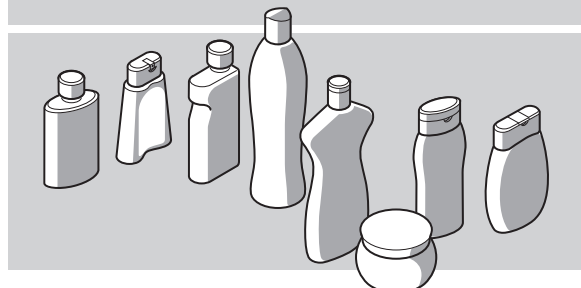
SL8000

Continuous motion shrink-sleeve application machine



TECHNICAL DATA

| | | |
|------------------|-------------------|-------------|
| Mechanical speed | STROKES/1' | 170 |
| Power absorption | KW | 2.5 |
| Size range | min. | max. |
| Ø | 25 | 100 |
| c | 40 | 300 |



FM-SL8000-02-uk (10/11/2014)