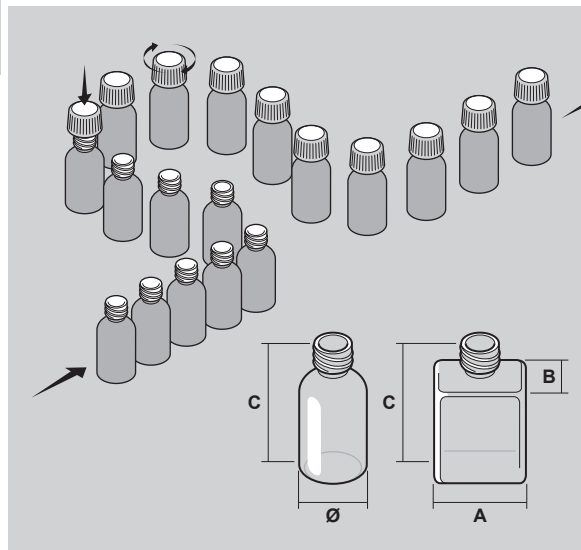
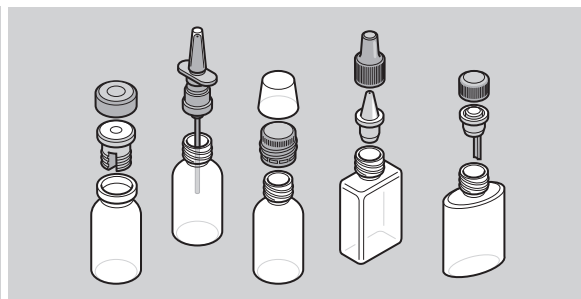
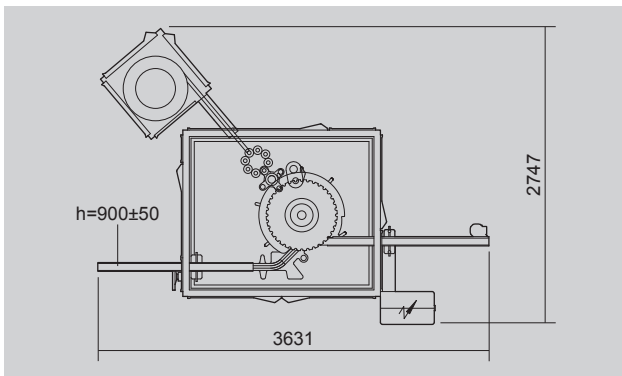


This publication supersedes and replaces any previous edition and revision. All rights reserved.
 No part of this publication may be reproduced, stored in a retrieval system or transmitted in any form or by any means, electronic, mechanical, photocopying, recording or otherwise, without permission of Tecnicam s.r.l. (Bologna - Italy).
 The technical data are not binding and may be subject to change without prior notice.

TA

Intermittent motion capping monobloc



TECHNICAL DATA

Mechanical speed	STROKES/1'	90
Power absorption	KW	4.5
Air consumption	NI/1'	200
Air pressure	bar	5+6
Gross weight	kg	~1950
Net weight	kg	~1400
Size range	min.	max.
A	20	70
B	15	80
Ø	15	80
C	35	180

FM-TA-01-uk (06/07/2015)